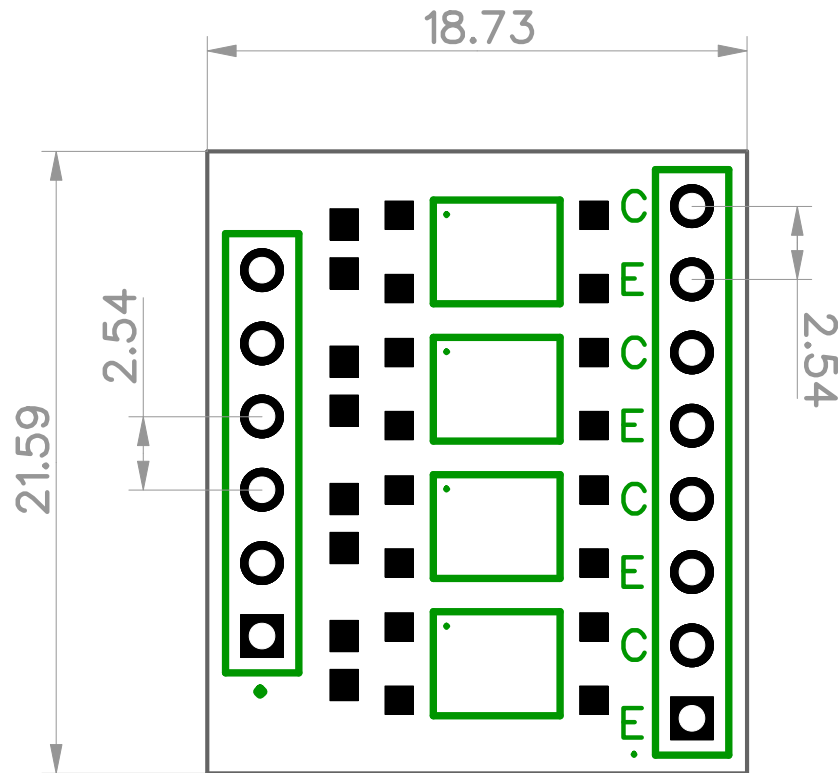


V1 - V4: PC3H7

Optocoupled outputs peripheral module			
MODEL: PMOPOUT	Rev. A	24.06.2014	Sheet 1/1
			PLDkit OU www.pldkit.com



All dimensions in mm
 Board size deviation $\pm 1\text{mm}$

Optocoupled outputs peripheral module			
MODEL: PMOPOUT	Rev. A	24.06.2014	Sheet 1/1
			PLDkit OU www.pldkit.com