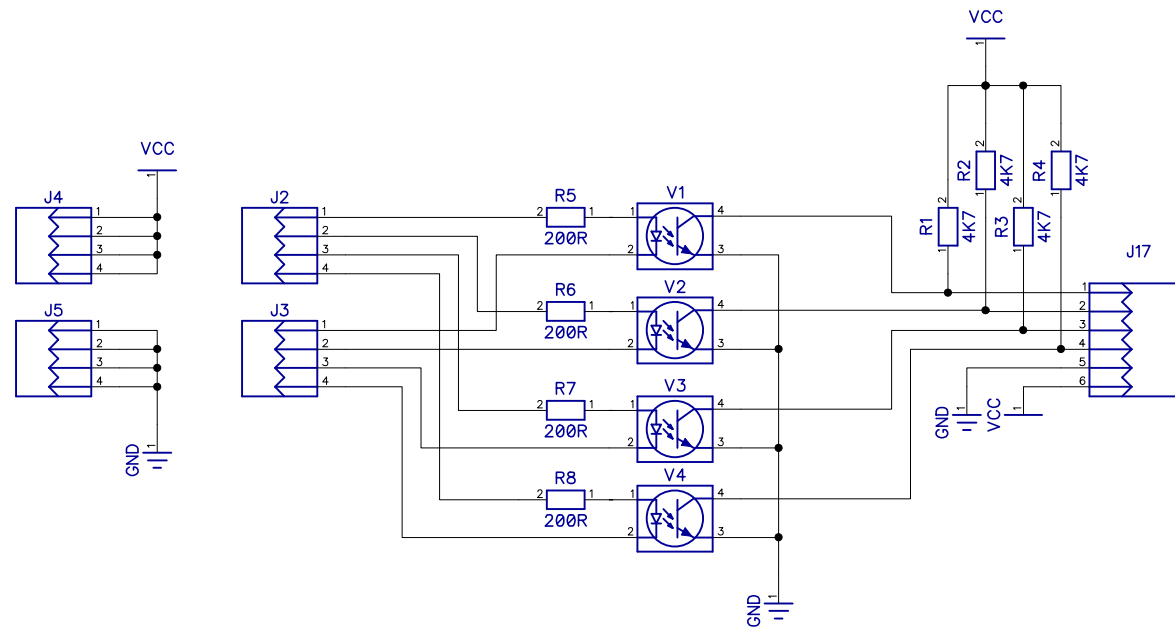


Module includes 4 jumpers.

For "common GND mode", connect jumpers to J4-J2, remote switch to J5-J3.

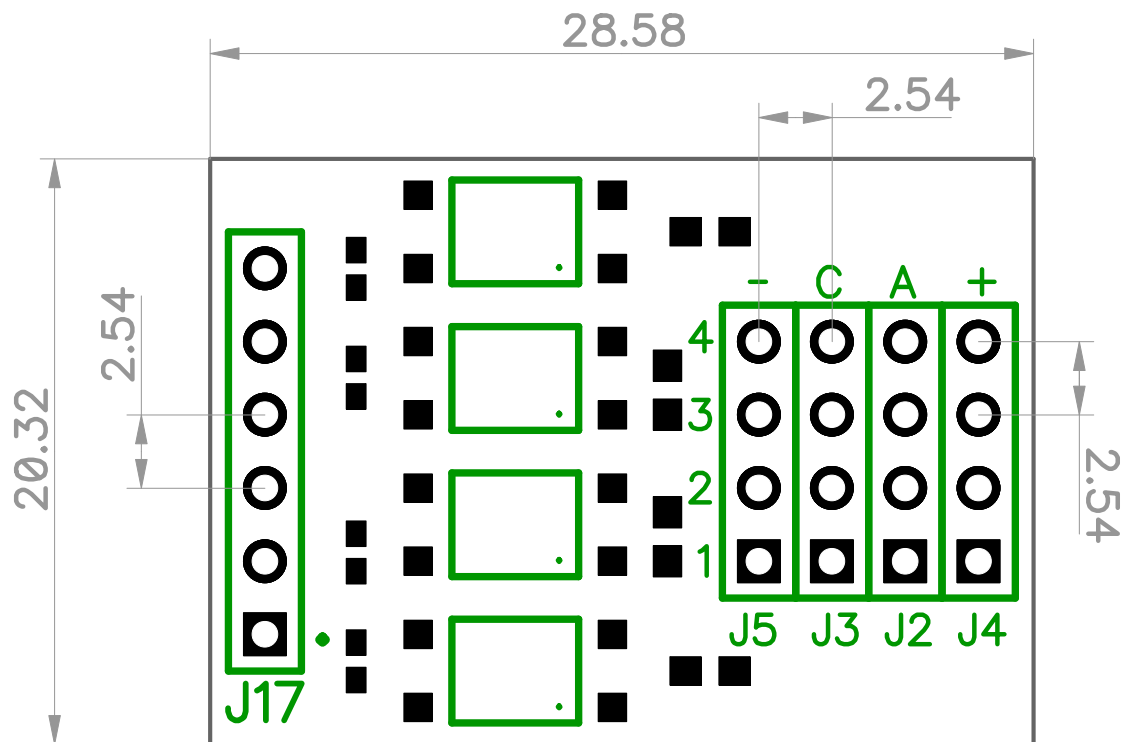
For "common VCC mode", connect jumpers to J5-J3, remote switch to J4-J2.

For "full isolation mode", remove all jumpers, connect signal to J3-J2.



V1 - V4: PC3H7

Optocoupled inputs peripheral module			
MODEL: PMOPIN	Rev. A	30.06.2014	Sheet 1/1
			PLDkit OU www.pldkit.com



All dimensions in mm
 Board size deviation $\pm 1\text{mm}$

Optocoupled inputs peripheral module			
MODEL: PMOPIN	Rev. A	24.06.2014	Sheet 1/1
			PLDkit OU www.pldkit.com