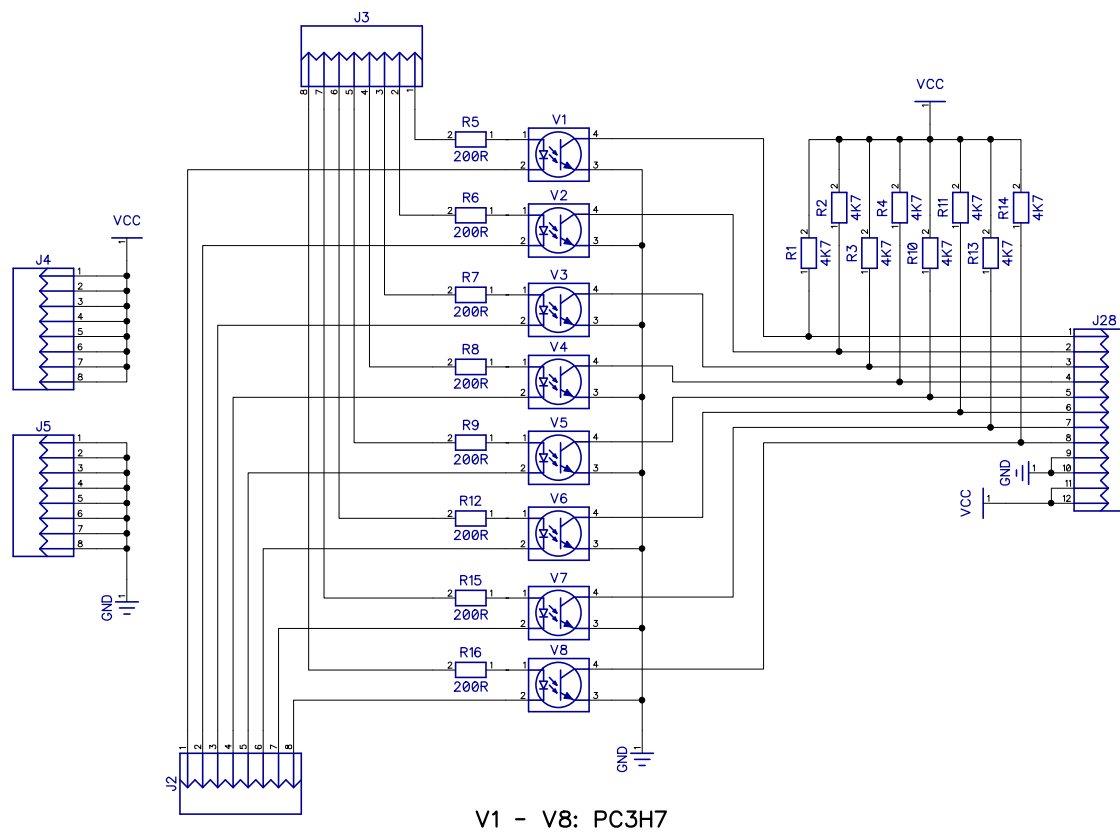


Module includes 8 jumpers.

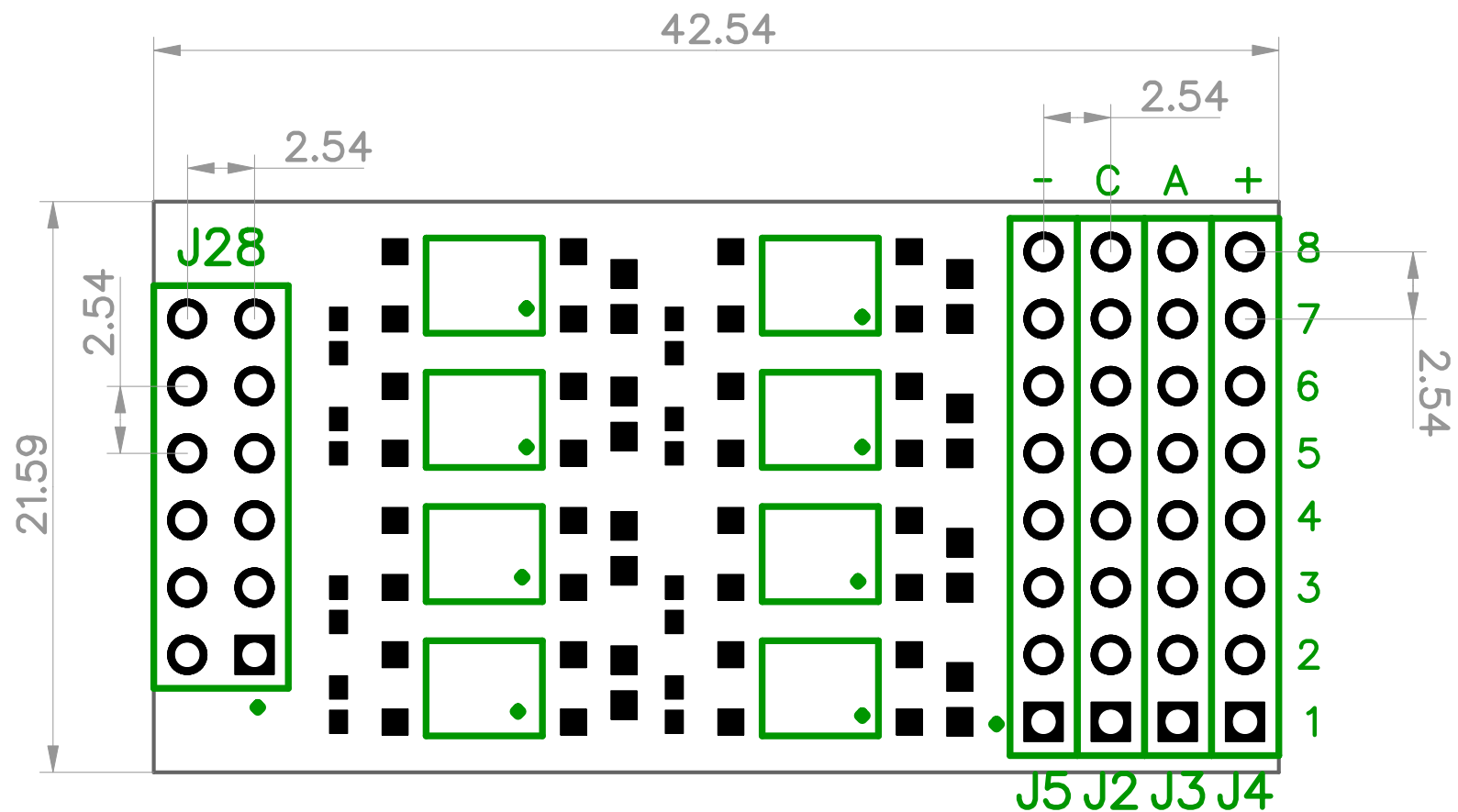
For "common GND mode", connect jumpers to J4-J3, remote switch to J5-J2.

For "common VCC mode", connect jumpers to J5-J2, remote switch to J4-J3.

For "full isolation mode", remove all jumpers, connect signal to J3-J2.



Optocoupled inputs peripheral module			
MODEL: PMOPIN2	Rev. A	30.06.2014	Sheet 1/1
			PLDkit OU www.pldkit.com



All dimensions in mm
 Board size deviation $\pm 1\text{mm}$

Optocoupled inputs peripheral module			
MODEL: PMOPIN2	Rev. A	30.06.2014	Sheet 1/1
			PLDkit OU www.pldkit.com