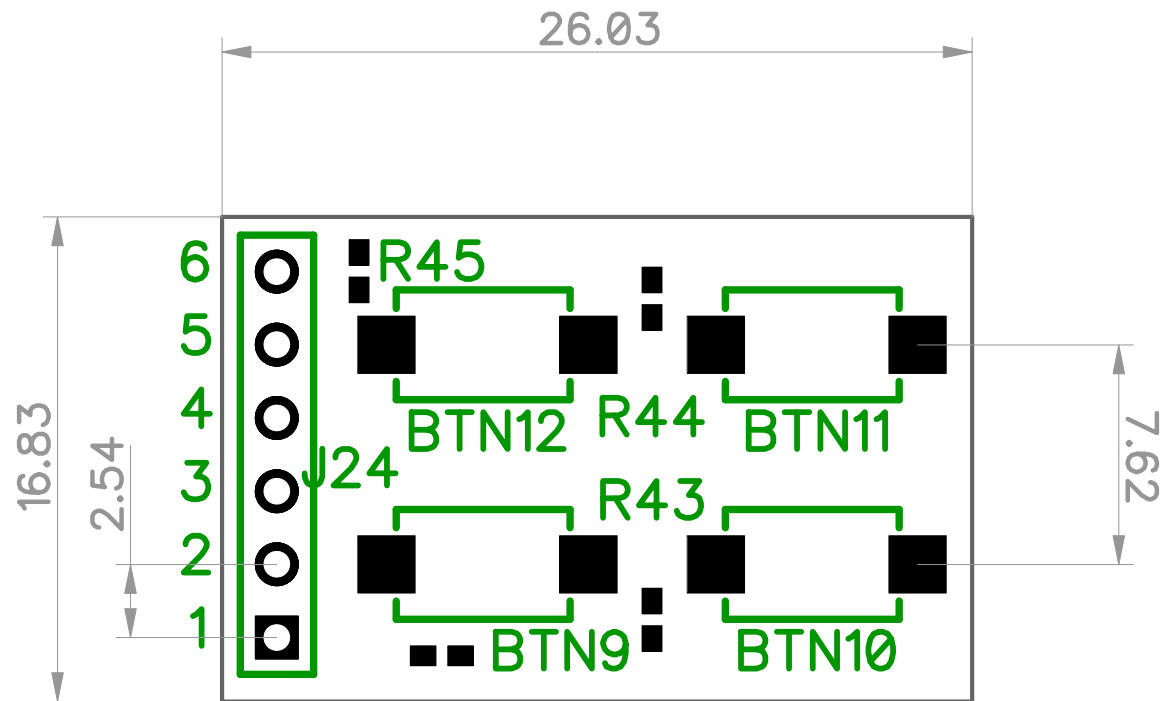


Push buttons peripheral module			
MODEL: PMBTN	Rev. A	24.06.2014	Sheet 1/1
			PLDkit OU www.pldkit.com



All dimensions in mm  
 Board size deviation  $\pm 1\text{mm}$

Push buttons peripheral module			
MODEL: PMBTN	Rev. A	30.06.2014	Sheet 1/1
			PLDkit OU www.pldkit.com